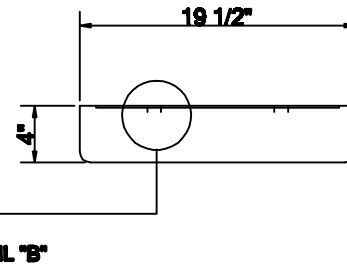
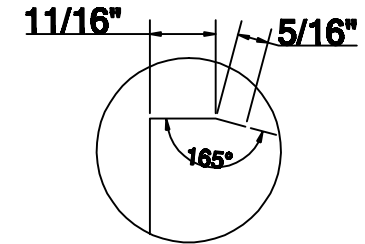


FRONT ELEVATION

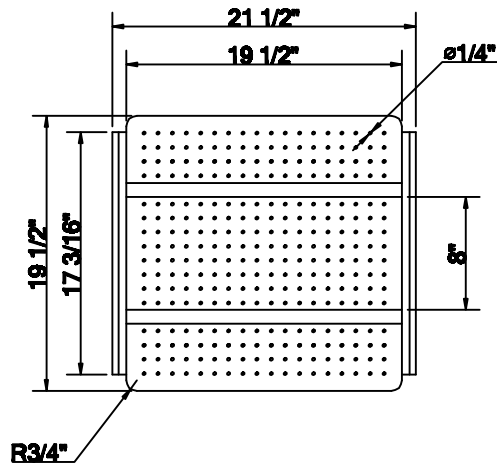


SIDE VIEW

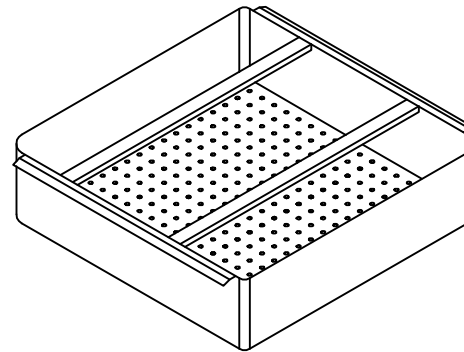
● 16 GA. STAINLESS STEEL CONSTRUCTION.



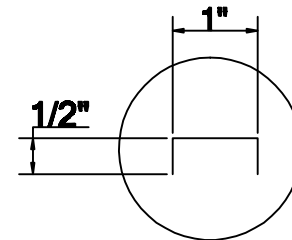
DETAIL "A"



PLAN VIEW



ISOMETRIC



DETAIL "B"

DRAWN FOR:	MAT. TOP: 16GA. S/S. BASE:	DATE	REVISIONS	Tarrison Products Ltd.
REF. NO:	REQ'D/ITEM:			
ITEM NAME: Pre-rinse Basket	DATE: Nov / 24 / 2015			
PROD. NO.: TA-PRB2020	BY:			
SCALE: 1/2" = 1'-0"	CHECKED BY:			